



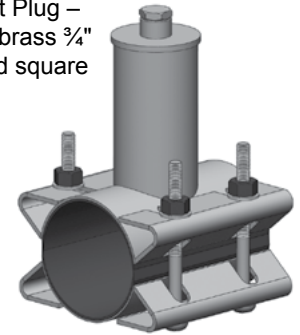
## Product Release

02/2019

Ford's Abandoned Corporation Cap provides a quick and easy way to encapsulate corporation stops that are no longer used to provide water service.

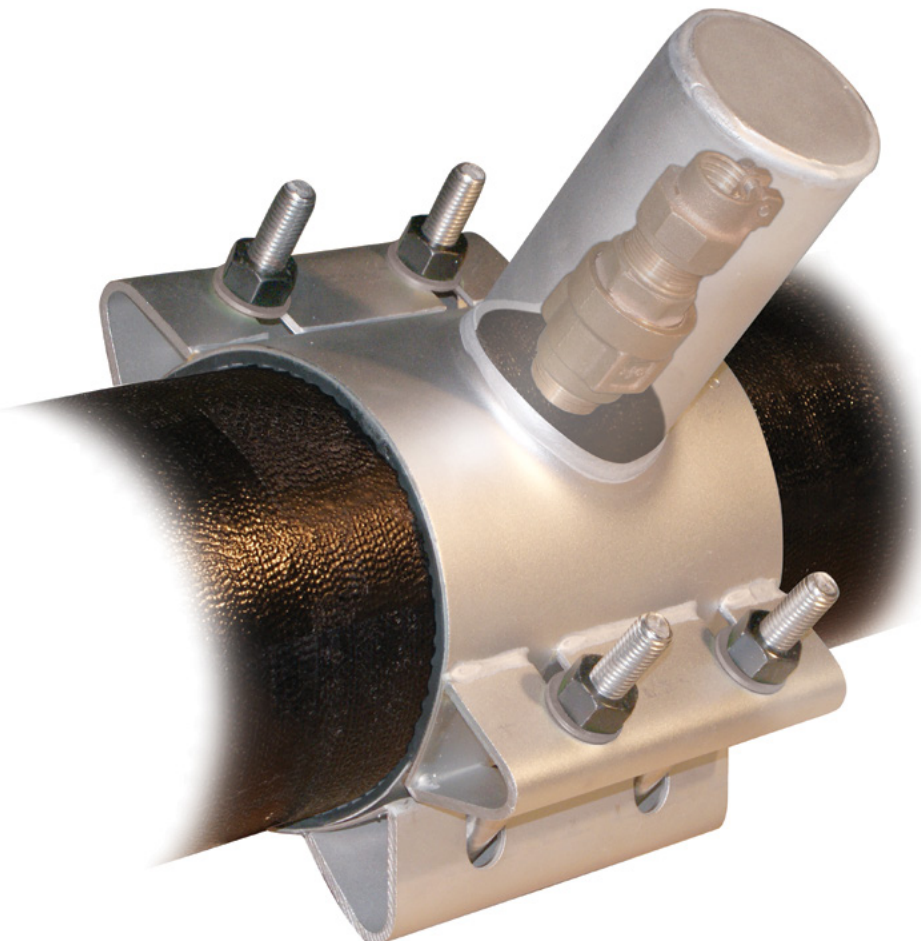
- 18-8 type 304 stainless steel construction
- 18-8 type 304 stainless steel hardware
- Gridded SBR full pad gasket
- Buna-N outlet gasket
- 3" cap to encapsulate 1/2" through 1" corporation stops
- 5" cap to encapsulate 1-1/4" through 2" corporation stops
- Optional top test port
- Accommodates nominal pipe sizes 4" through 24"
- Rated for 300 psi working pressure

Optional Test Plug –  
Waterworks brass 3/4"  
with standard square  
head



FACC PART NUMBER	CORP RANGE	CAP DIAMETER	CAP HEIGHT	SLEEVE LENGTH
FACC-xxxx	1/2" - 1"	3"	6-1/4"	8"
FACC-xxxx-XL	1-1/4" - 2"	5"	12-1/4"	12"

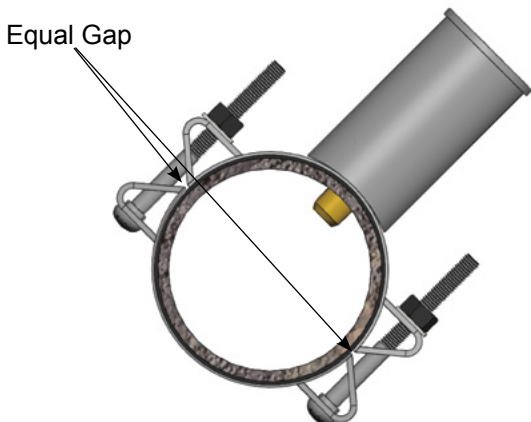
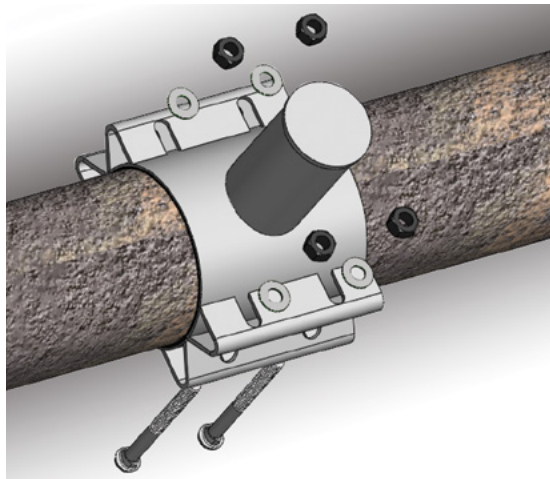
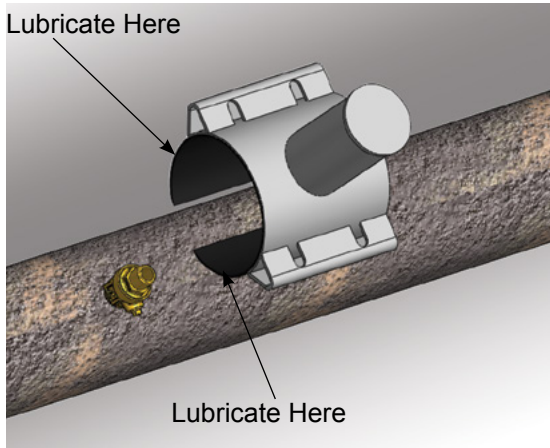
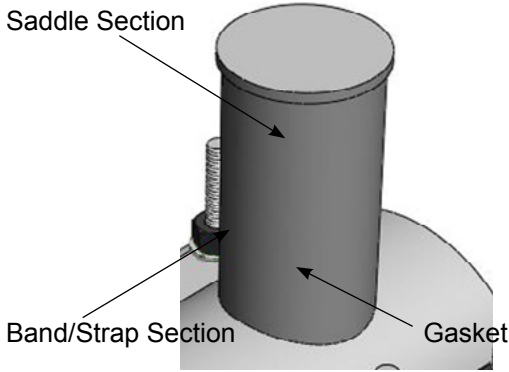
NOMINAL PIPE SIZE	SLEEVE O.D. RANGE	CATALOG NUMBER WITH 3" OUTLET
4"	4.50-4.80	FACC-480
	4.80-5.00	FACC-500
	5.10-5.30	FACC-530
	5.20-5.40	FACC-540
*6"	6.63-7.00	FACC-700
	6.90-7.30	FACC-730
	7.30-7.50	FACC-750
*8"	8.63-9.05	FACC-905
	9.05-9.30	FACC-930
	9.30-9.60	FACC-960
	9.45-9.75	FACC-975
*10"	10.75-11.10	FACC-1110
	11.10-11.40	FACC-1140
	11.40-11.70	FACC-1170
	11.85-12.15	FACC-1215
*12"	12.75-13.20	FACC-1320
	13.20-13.50	FACC-1350
	13.50-13.80	FACC-1380
	14.10-14.40	FACC-1440
*14"	15.30-15.70	FACC-1570
	15.80-16.20	FACC-1620
	16.48-16.88	FACC-1688
*16"	17.40-17.80	FACC-1780
	17.75-18.15	FACC-1815
	18.15-18.60	FACC-1860
	18.80-19.20	FACC-1920
*18"	19.50-19.92	FACC-1992
	19.80-20.20	FACC-2020
*20"	20.20-20.60	FACC-2060
	21.20-21.60	FACC-2160
*24"	23.80-24.20	FACC-2420
	25.60-26.00	FACC-2600
	26.20-26.60	FACC-2660



Add "-TP" to end of catalog number for Test Plug option.  
Example: FACC-930-TP

\* Optional: 5" cap to encapsulate 1-1/4" through 2" corporation stops, add "-XL" following the sleeve O.D. Sleeve length will be 12".  
Example: FACC-930-XL

# INSTALLATION INSTRUCTIONS FOR THE FORD FACC ABANDONED CORP CAP



1. Your FACC Abandoned Corp Cap is warranted to be free of defects at the time of shipment. Please visually inspect before installing to ensure that no damage has occurred during shipment or storage.

Clean any dirt, corrosion, or foreign material from pipe surface. Measure the pipe diameter and check it against the FACC range indicated on the sleeve. Lubricate the pipe with a thin coating of a soap-based (non-petroleum) lubricant.

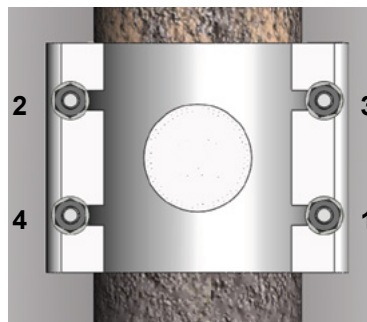
2. Place the top saddle section of the FACC on the pipe over the existing corporation stop and lightly lubricate the outside surface of the exposed gasket. Mate the band section with the saddle section on the pipe making sure that the tapered ends of the gasket are not folded or rolled against the pipe. Make sure no foreign material is trapped between the pipe and the gasket. Loosely install the lug bolts and hand tighten the nuts to hold the unit in place.

3. Begin tightening the bolts using the pattern shown in the diagram below. Make sure the gap between the sleeve sections is equal from side to side and equal from end to end.

To achieve proper torque and gap, you must tighten all the bolts several times with incremental torque settings, up to the **recommended torque of 75 ft-lbs.**

**Check final torque several times prior to backfilling.** The gasket will continue to compress until it is fully seated.

**Bolt tightening sequence**



FACC PART NUMBER	CORP RANGE	CAP DIAMETER	CAP HEIGHT	SLEEVE LENGTH
FACC-xxxx	1/2" - 1"	3"	6-1/4"	8"
FACC-xxxx-XL	1-1/4" - 2"	5"	12-1/4"	12"