



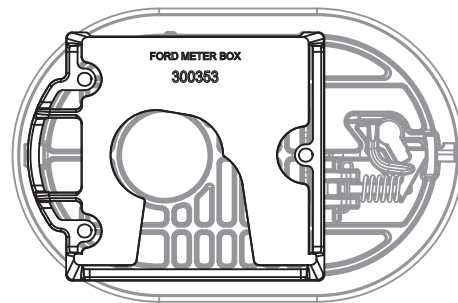
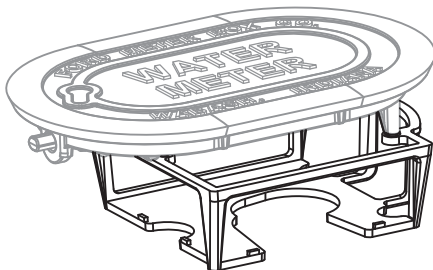
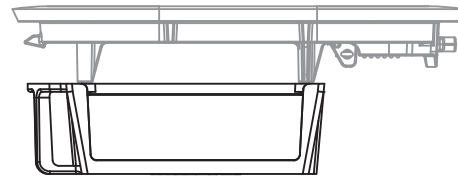
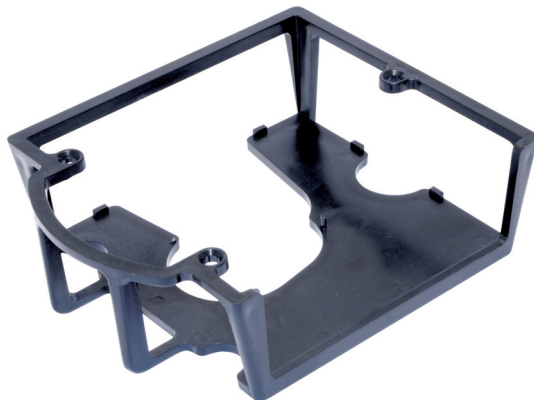
Yokebox ERT Bracket

Product Release

05/2012

To accommodate the latest transmitter designs, Ford introduces our new ERT (Encoder-Receiver-Transmitter) bracket for the Yokebox. This under-lid ERT bracket is designed to not only secure the round “mushroom” style ERT’s, but also the new box-style, as well as other shaped transmitters.

Available as a stand alone product for field installations, or as a factory installed option, the bracket is available for both Ford’s Yokebox and Long Yokebox styles.



- Bracket accommodates the Aclara Star MTU, Metron-Farnier Transparent Technologies T2, Badger Galaxy TR3, and original mushroom style transmitters
- For field installation, the bracket includes three stainless steel clip rings for attachment to the existing posts on the underside of the lid
- When factory installed, the bracket is ultrasonically joined to the lid for a strong and durable joint

Catalog Number	Description
XXXXXX-LBR	LBR suffix is for a bracket factory-installed on the lid when ordering just a plastic lid
XXXXXX-PLB	PLB suffix is for a bracket factory-installed on the plastic lid when ordering a yokebox or long yokebox
PLBR-YL-LYL	Bracket only (for customer installation)

Note: Ford recommends verifying clearance from the bracket or transmission device to the meter (or other pit hardware) prior to ordering.

The Ford Meter Box Company, Inc. 775 Manchester Avenue, P.O. Box 443, Wabash, Indiana, USA 46992-0443
Telephone: 260-563-3171 FAX: 800-826-3487 Overseas FAX: 260-563-0167 <http://www.fordmeterbox.com>

FBRACKET