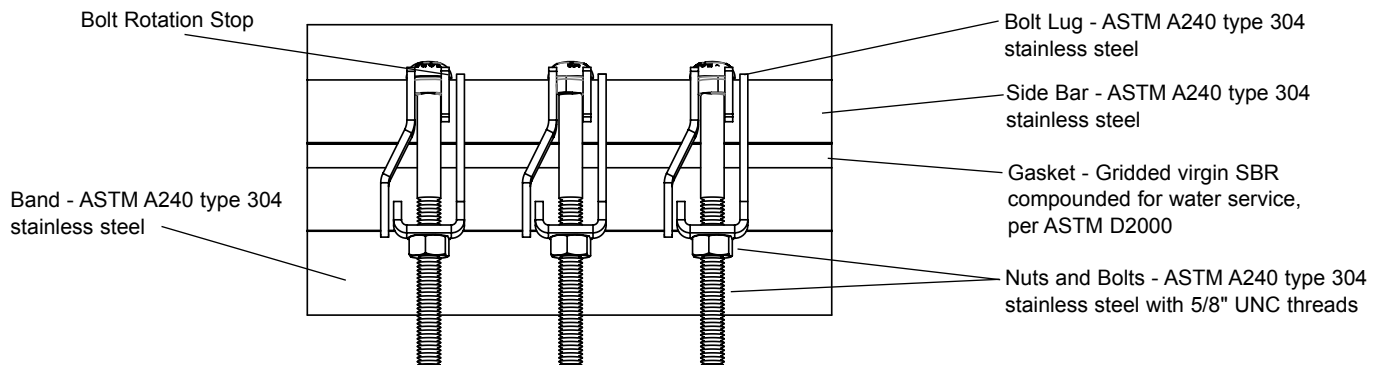


FLS Stainless Steel Drop-In Bolt Repair Clamp



Features:

- Drop-in bolt design (no lifter bar) with bolt rotation stops
- All stainless steel construction
- All welds fully passivated for corrosion resistance
- Heavy hex nuts are coated to prevent galling
- Available options include EPDM gasket, Buna-N gasket, outlet taps and conductivity strips
- Two and three section clamps for a wider range of pipe sizes and tolerances are available

FLS Stainless Steel Drop-In Bolt Repair Clamp

FLS1 SINGLE SECTION Operating Range .40" (5.14" and larger)

Nom. Pipe Size	Pipe O.D. Range	Catalog Number	Length and Approximate Shipping Weight Lbs.							
			6"	7.5"	10"	12.5"	15"	20"	24"	30"
2"	2.05-2.25	FLS1-225xLength	4 Lbs.	4 Lbs.	5 Lbs.	5 Lbs.	N/A	N/A	N/A	N/A
	2.35-2.63	FLS1-263xLength	4	4	5	5	7	N/A	N/A	N/A
2-1/4"x2-1/2"	2.70-3.00	FLS1-300xLength	4	5	5	6	8	N/A	N/A	N/A
3"	2.97-3.25	FLS1-325xLength	4	5	5	6	9	N/A	N/A	N/A
	3.46-3.70	FLS1-370xLength								
	3.73-4.00	FLS1-400xLength								
3"- 4"	3.96-4.25	FLS1-425xLength	5	5	6	7	9	N/A	N/A	N/A
	4.45-4.73	FLS1-473xLength								
4"	4.50-4.80	FLS1-480xLength	5	6	7	8	10	14	16	21
	4.74-5.14	FLS1-514xLength								
	4.95-5.35	FLS1-535xLength								
	5.22-5.62	FLS1-562xLength								
6"	5.95-6.35	FLS1-635xLength	N/A	7	9	10	14	17	21	27
	6.56-6.96	FLS1-696xLength								
	6.84-7.24	FLS1-724xLength								
	7.05-7.45	FLS1-745xLength								
8"	7.45-7.85	FLS1-785xLength	N/A	8	10	11	15	19	24	30
	7.95-8.35	FLS1-835xLength								
	8.54-8.94	FLS1-894xLength								
	8.99-9.39	FLS1-939xLength								
10"	9.27-9.67	FLS1-967xLength	N/A	11	14	16	24	28	32	42
	9.70-10.10	FLS1-1010xLength								
	10.60-11.04	FLS1-1104xLength								
	11.04-11.44	FLS1-1144xLength								
12"	11.34-11.74	FLS1-1174xLength	N/A	13	16	18	27	30	36	48
	11.75-12.15	FLS1-1215xLength								
	12.00-12.40	FLS1-1240xLength								
	12.60-13.02	FLS1-1302xLength								
	13.10-13.50	FLS1-1350xLength								
13.40-13.80	FLS1-1380xLength									
13.70-14.10	FLS1-1410xLength									
14.00-14.40	FLS1-1440xLength									
Number of Bolt Lugs			2	2	3	3-4*	4	6	7	9

*12.5" long clamps in the 10" and 12" nominal pipe size have 4 bolt lugs.

FLS2 DOUBLE SECTION Operating Range .80" (4" - 12")

Nom. Pipe Size	Pipe O.D. Range	Catalog Number	Length and Approximate Shipping Weight Lbs.						
			7.5"	10"	12.5"	15"	20"	24"	30"
4"	4.44-5.24	FLS2-524xLength	11 Lbs.	14 Lbs.	18 Lbs.	26 Lbs.	32 Lbs.	38 Lbs.	N/A
	4.74-5.57	FLS2-557xLength							
6"	6.62-7.42	FLS2-742xLength	12	15	19	28	35	42	45
	6.84-7.64	FLS2-764xLength							
8"	8.62-9.42	FLS2-942xLength	13	17	21	30	38	46	51
	8.99-9.79	FLS2-979xLength							
10"	10.70-11.50	FLS2-1150xLength	N/A	18	23	32	41	50	54
	11.04-11.84	FLS2-1184xLength							
	11.60-12.40	FLS2-1240xLength							
12"	12.70-13.50	FLS2-1350xLength	N/A	19	25	34	44	54	57
	13.14-13.94	FLS2-1394xLength							
	13.65-14.45	FLS2-1445xLength							
14"	15.07-15.82	FLS2-1582xLength	N/A	20	27	36	47	58	63
16"	17.15-17.90	FLS2-1790xLength	N/A	22	29	38	50	62	66
Number of Bolt Lugs			4	6	6-8*	8	12	14	18

* 12.5" long clamps in the 10" thru 16" nominal pipe size have 8 bolt lugs.

FLS3 TRIPLE SECTION Operating Range 1.20"

Nom. Pipe Size	Pipe O.D. Range	Catalog Number	Length and Approximate Shipping Weight Lbs.				
			12.5"	15"	20"	24"	30"
16"	17.10-18.30	FLS3-1830xLength	31 Lbs.	40 Lbs.	52 Lbs.	64 Lbs.	77 Lbs.
18"	18.00-19.20	FLS3-1920xLength	35	44	56	68	84
	19.50-20.70	FLS3-2070xLength					
20"	21.60-22.80	FLS3-2280xLength	41	48	60	73	89
24"	25.80-27.00	FLS3-2700xLength	46	53	65	79	102
Number of Bolt Lugs			12	12	18	21	27

OPTIONAL OUTLET TAPS for corporation stops are available on the FLS repair clamp. The minimum clamp size for each tap type and size is listed in the tapping code table to the right. The tapped outlet is 18-8 Type 304 stainless steel and is "fused" to the clamp band by a fully passivated TIG weld.

To Order: 1. Select the proper code from table to match desired size and type of thread.

2. Add code to catalog number of repair clamp.

Example: The number for an FLS1-724-12.5 with a 3/4" CC tap is FLS1-724-125-CC3.

Tapping Codes

CC (AWWA) Thread				IP Thread			
Size	Code Number	Min. Clamp Size		Size	Code Number	Min. Clamp Size	
		FLS1	FLS2			FLS1	FLS2
3/4"	CC3	2.63	5.24	3/4"	IP3	2.63	5.24
1"	CC4	2.63	5.24	1"	IP4	2.63	5.24
1-1/4"	CC5	3.70	5.24	1-1/4"	IP5	3.70	5.24
1-1/2"	CC6	4.25	5.24	1-1/2"	IP6	3.70	5.24
2"	CC7	4.73	5.57	2"	IP7	4.25	5.57