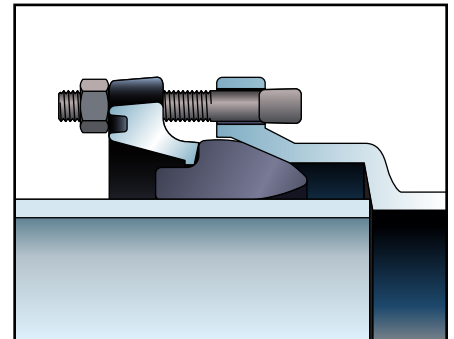


No More Missed Connections



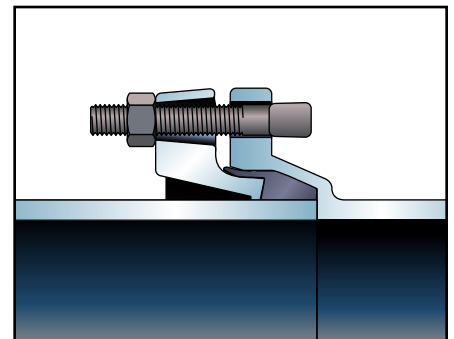
Transition Gasket

- The only gasket to connect (14" - 24") IPS pipe to MJ valves and fittings at full rated working pressure of the PVC pipe (2:1 safety factor)
- For use on 14"-24" IPS PVC (steel size) and steel pipe
- Centers and maintains alignment of pipe and gland/gasket assembly
- Snaps on to compression lip I.D. for stab fit pipe insertion
- No back-up ring required



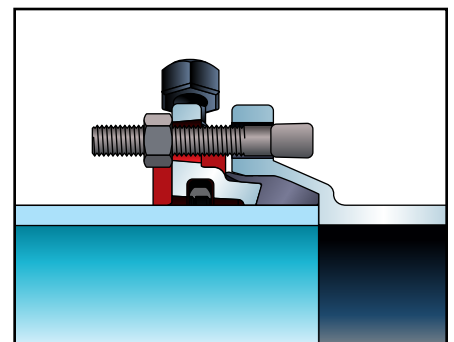
Metric-Seal Gasket

- The only gasket for connecting ISO ductile iron pipe to AWWA mechanical joint valves and fittings
- For use on 14"-24" (350mm - 600mm) ISO 2531 DI pipe
- 250 psi rated working pressure
- Centers and maintains alignment of pipe and gland/gasket assembly
- Snaps to MJ Gland for stab-fit pipe insertion



SO-EZ™ Gasket

- For fast and simple mechanical joint connections
- For use on 3"-12" IPS PVC, C900, C909, HDPE, SDR-35 and AWWA/ISO 2531 ductile iron pipe
- Rated as high as 350 psi depending on pipe type and application
- Centers and maintains alignment of pipe and gland/gasket assembly
- Snaps to MJ Gland or Restraint Gland for stab-fit pipe insertion



Part Numbers and Specifications

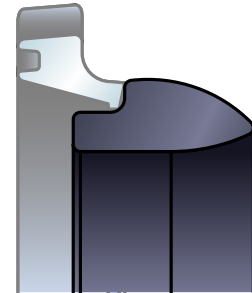
Transition Gaskets 14"-24"

Pipe: ASTM D2241 IPS PVC (Steel Size) and Steel Pipe

Material: SBR rubber per ASTM D2000

Option: -N for NBR (Buna-N)

Part Number	Description	Pipe OD
TGA-14	14" Transition MJ Gasket	14.00
TGA-16	16" Transition MJ Gasket	16.00
TGA-18	18" Transition MJ Gasket	18.00
TGA-20	20" Transition MJ Gasket	20.00
TGA-24	24" Transition MJ Gasket	24.00



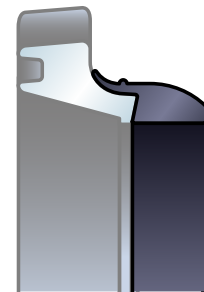
Metric-Seal Gaskets 14"-24" (350mm - 600mm)

Pipe: ISO 2531 Ductile Iron Pipe

Material: SBR rubber per ASTM D2000

Option: -N for NBR (Buna-N)

Part Number	Description	Pipe OD
METRIC-SEAL-1488	14" METRIC-SEAL MJ Gasket-14.88"	378mm
METRIC-SEAL-1689	16" METRIC-SEAL MJ Gasket-16.89"	429mm
METRIC-SEAL-1890	18" METRIC-SEAL MJ Gasket-18.90"	480mm
METRIC-SEAL-2094	20" METRIC-SEAL MJ Gasket-20.94"	532mm
METRIC-SEAL-2500	24" METRIC-SEAL MJ Gasket-25.00"	635mm



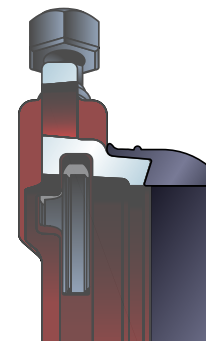
SO-EZ Gaskets 3"-12"

Pipe: IPS PVC, C900 PVC, C909, HDPE, SDR-35*, Ductile Iron

Material: SBR rubber per ASTM D2000

Option: -N for NBR (Buna-N) in sizes 4" - 12"

Part Number	Description	Pipe OD		NBR* Min
		Min	Max	
SO-EZ-3	3" SO-EZ MJ Gasket	3.50	3.96	NA
SO-EZ-4	4" SO-EZ MJ Gasket	4.50	4.80	4.21
SO-EZ-6	6" SO-EZ MJ Gasket	6.63	6.90	6.28
SO-EZ-8	8" SO-EZ MJ Gasket	8.63	9.05	8.40
SO-EZ-10	10" SO-EZ MJ Gasket	10.75	11.10	10.50
SO-EZ-12	12" SO-EZ MJ Gasket	12.75	13.20	12.50



* Requires "-N" suffix designating NBR (Buna-N) material.

Note: Ford recommends the use of a properly sized insert stiffener when used on HDPE.