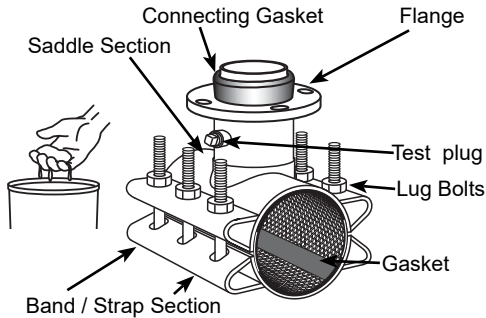


INSTALLATION INSTRUCTIONS FOR THE FORD FTSS-MJ TAPPING SLEEVE

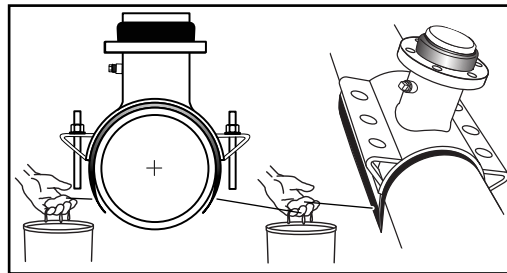
Refer to the Ford website (www.fordmeterbox.com) for additional and most recent installation instructions and product information.

- Your FTSS-MJ Tapping Sleeve is warranted to be free of defects at the time of shipment. Please visually inspect before installing to ensure that no damage has occurred during shipment or storage. **Note: The supplied connecting gasket is NOT a standard mechanical joint gasket. Ensure that it is in good condition and the long tapered end is toward the tapping sleeve and the concave sealing lip is facing the valve.**



Clean any dirt, corrosion, or foreign material from pipe. Measure the pipe diameter and check it against the FTSS range printed on the sleeve. Lubricate pipe under and beyond the gasket contact area with a thin coating of pipe joint lubricant. **Note:** Extra attention must be given to the lubrication of AC pipe due to its rough and absorbent nature. If it becomes absorbed, apply more lubricant to AC pipe.

- Place the saddle section of the sleeve on the pipe and **lightly lubricate the outside surface of the exposed gasket.** Mate the band section with the saddle section on the pipe making sure that the tapered ends of the gasket are not folded or rolled against the pipe. Make sure no foreign material is trapped between the pipe and the gasket. Loosely install the lug bolts, position the sleeve, and hand tighten the nuts to hold the unit in place.



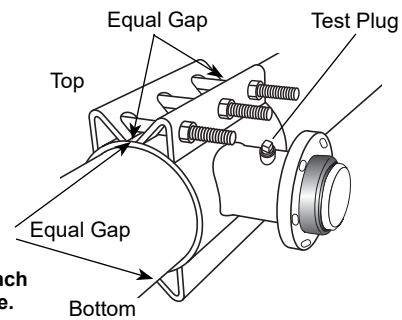
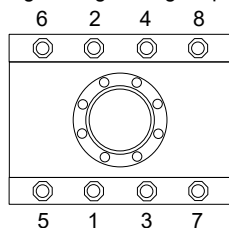
- Begin tightening the bolts using the pattern shown in the diagram below.

Make sure the gap between the sleeve sections is equal on top and bottom and equal from end to end.

To achieve proper torque and gap, you must tighten all bolts several times with incremental torque settings, up to the recommended torque. See table below.

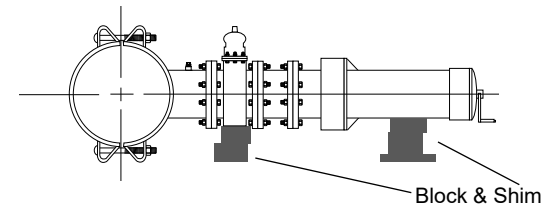
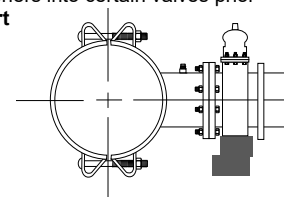
Check final torque several times, including after the tap is made and prior to backfilling. The gasket will continue to compress until it is fully seated. **The use of a torque wrench is recommended and required to ensure proper torque.**

Lug Bolt tightening sequence



Recommended Torque	
Bolt Size	Foot - lbs.
5/8"	75
3/4"	110

- Make sure the flange face on the tapping sleeve and the contact area on the MJ valve are clean and free of dirt or debris. Inspect the face of the MJ valve for a smooth, even surface to ensure it will provide proper alignment with the tapping sleeve.
- Apply a soap-based pipe joint lubricant to the exposed connecting gasket.
- Place the open cavity of the valve onto the MJ outlet of the tapping sleeve and align the bolt holes. Note that it may be necessary to insert some of the fasteners into certain valves prior to making the connection. **Apply blocks and shims to support the valve's suspended weight.**
- Insert the fasteners into the bolt holes. Place flat washers and nuts onto the exposed bolt threads.
- Evenly and alternately tighten the outlet fasteners with the appropriate wrench to maintain an even spacing as the components are drawn together. Continue to tighten the fasteners until the tapping sleeve flange and MJ valve face make solid contact around the outlet. The flange is designed to come face-to-face with the valve.
- Test valve and sleeve assembly using the tapping sleeve test port. AWWA C223 recommends "...the installer hydrostatically [water] test the seal between the gasket and pipe. For personal safety reasons, do not use a compressible fluid medium (such as air) to check for water tightness." If a leak is observed, relieve the pressure and re-tighten the bolts to the recommended torque. If the leak continues, remove the tapping sleeve, re-clean and lubricate the pipe and repeat steps 2 and 3 to reset the gasket against the pipe surface.
- Attach drilling machine to the valve. It is important to check for proper mating and alignment between the valve and the machine. Use blocks and shims.



- Make the following checks before proceeding with tap.**
 - Gaps between the tapping sleeve saddle and the band sections are equal from side to side and from end to end.
 - All bolts are tightened to the proper torque.
 - All blocking is in place and secure.
 - Tapping sleeve, valve and tapping machine are properly aligned.
 - Correct cutter size has been selected for job. FTSS tapping sleeves allow a full size cutter.
- Re-check tapping sleeve bolt torque after tap and before backfilling. Stresses induced during tapping may relax bolt torque. **The use of a torque wrench is recommended and required to ensure proper torque.**
- To prevent undue stress on the tapping sleeve and valve assembly, make sure the new water main will rest on a well compacted bed with its center line axis matching the center line axis of the valve.

